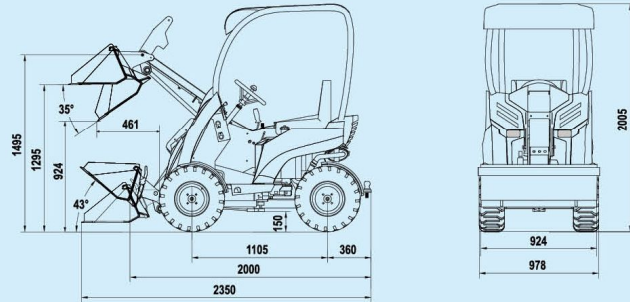


# MINI LOADER

## Dimensions(mm)



## Main Technical Specifications

Model		HY200		
Engine	Rated power (KW)	14.9(20HP)		
	Rotating speed (rpm)	3600		
Fuel volume (L)		9		
Hydraulic oil volume (L)		20		
Noise (dB)		≤85		
Hydraulic System	Hydraulic pressure (Mpa)	17.5		
	Cycle time (s)	Raise	Dump	Lower
		3.8	1.34	2.38
Capability Parameter	Operating load (Kg)	200		
	Bucket capacity (m³)	0.2		
	Max. pushing power (KN)	350		
	Max. lifting power (KN)	500		
	Speed (Km/h)	0-12		
Operating weight (Kg)		840		
Tire		21×8.00-10TR		

Specifications are subject to change without notice

## TAIAN YUANDONG INTERNATIONAL TRADING CO., LTD.

ADD:Guangming Building, No.6 Lingshan street, Taian, Shandong, China  
TEL: +86-538-6188767 6188721 FAX: +86-538-6188727 P.C: 271000  
Http://www.chiran.net E-mail: overseas@chiran.net chiran@chiran.net



SMALL MACHINE BIG FUNCTION